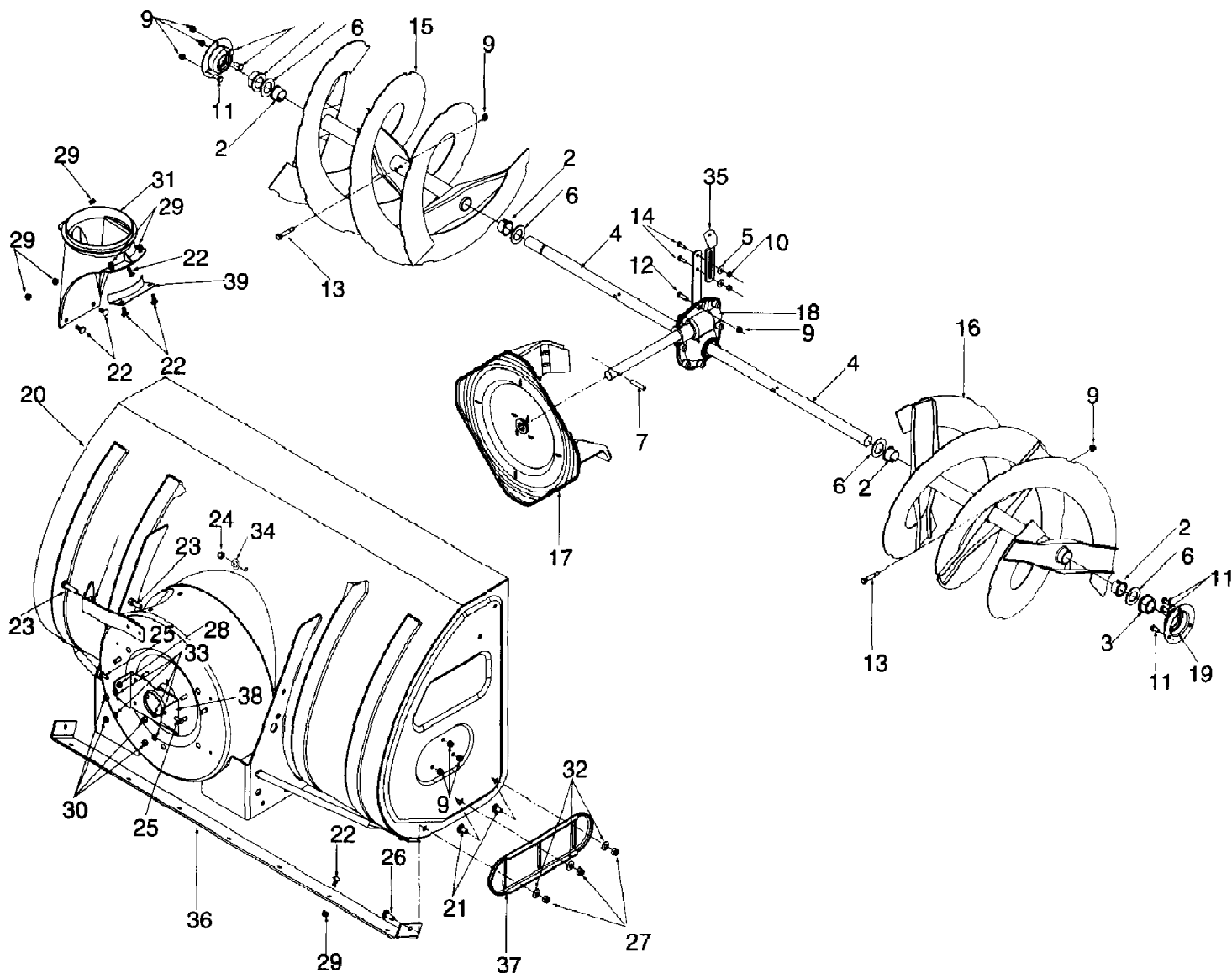


190-623-000 (1998)
Blower Housing

Page 1 of 6



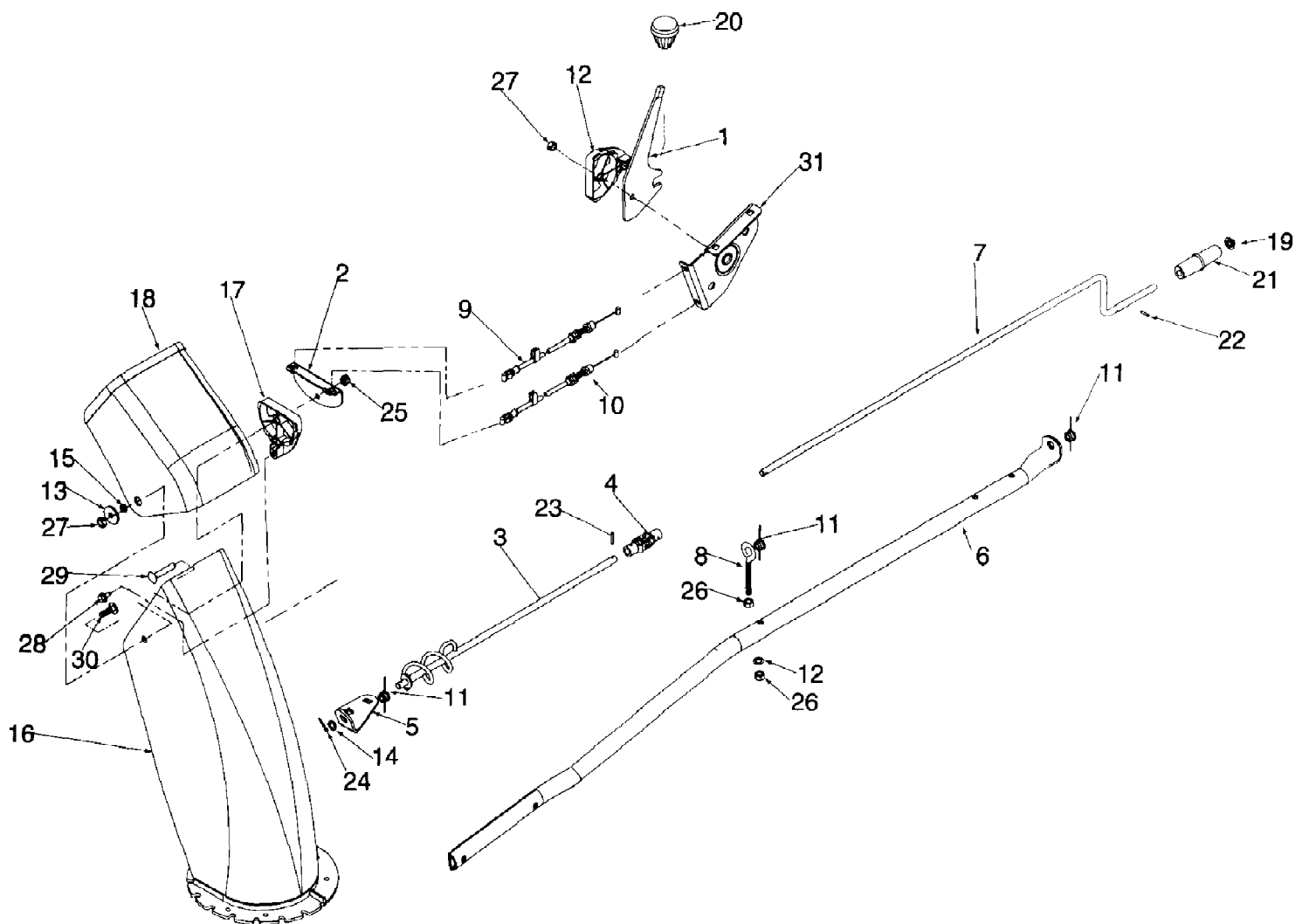
190-623-000 (1998)
Blower Housing

Page 2 of 6

Ref #	Part Number	Qty	S/P/F	Description
?1	784-5710	1	S	PLT:SUPT
2	741-0494	4		BUSH:FLG:1.05 ID X 1.16 OD
3	741-0192	2		BRG:FLG:W/FLATS
4	738-0492	1		SPIRAL AXLE 1.00 X 44.12
5	736-0270	2	/P	WASH:BELL:.265 X.75 X .062
6	736-0250	4	/P	FL-WASH 1.00 ID X 1.75 OD X .1
7	715-0118	1	S	SPRING PIN SPIR 5/16 DIA X 1.7
9	712-0429	9	S	NUT:HX:5/16-18:GRC:LOCK
10	712-0138	2	S	NUT:1/4-28:GRA:HX
11	710-3025	6	/P	HHCS:5/16-18:.625:GR5:STD
12	710-3008	1	/P	HHCS:5/16-18:.75:GR5:STD
13	710-0891	2	/P	SHEAR BOLT 5/16 - 18 X 1-3/4
14	710-0412	2	/P	HHCS:1/4-28:.75:GR5:STD
15	684-0073	1	/P	SPRL ASM:LH:16"
16	684-0072	1	/P	SPRL ASM:RH
17	684-0069	1		IMPLR ASM:16"
18	618-0244	1	S	GEAR ASM:AUGER
19	05845A	2	S	HSG:BRG:1.50 DBL-T
20	684-0068	1	S	HSG ASM:SPRL:45"
21	710-0389	4	/P	CARRIAGE BOLT 3/8-16 X .75
22	710-0451	12	/P	BOLT:CAR:5/16-18:.75
23	710-0520	2	/P	HHCS:3/8-16:1.50:GR5:STD
24	710-0726	1	/P	SCR:AB:5/16-12:0.750:HXINDWSH
25	710-3015	2	/P	HHCS:1/4-20:.75:GR5:STD
26	710-3168	2	/P	BOLT:CARR:3/8-16
27	712-0130	8	/P	NUT:HX:3/8-16:GRC:LOCK
28	712-0324	2	/P	NUT:HX:1/4-20:GRC:LOCK
29	712-0429	12	S	NUT:HX:5/16-18:GRC:LOCK
30	712-3010	4	S	NUT:5/16-18:GRB:HX
31	731-1696	1	S	CHUT:ADAP:6" DIA
32	736-0105	6	/P	WASH:SPR:.401 X .870 X .063
33	736-0119	4	S	WASH:LOCK:5/16:REGULAR DUTY
34	736-0242	1	/P	WASH:BELVL:.340 ID X .872 OD
35	784-5076	1	S	GEAR HOUSG.SUPP.BRKT
36	784-5696	1	S	PLT:SHAVE
37	784-5697	2		SHOE:SKID
38	784-5703	1	S	BRKT:MT:BRG
39	784-5711	1	S	BRKT:CHUT:6.0

190-623-000 (1998)
Chute

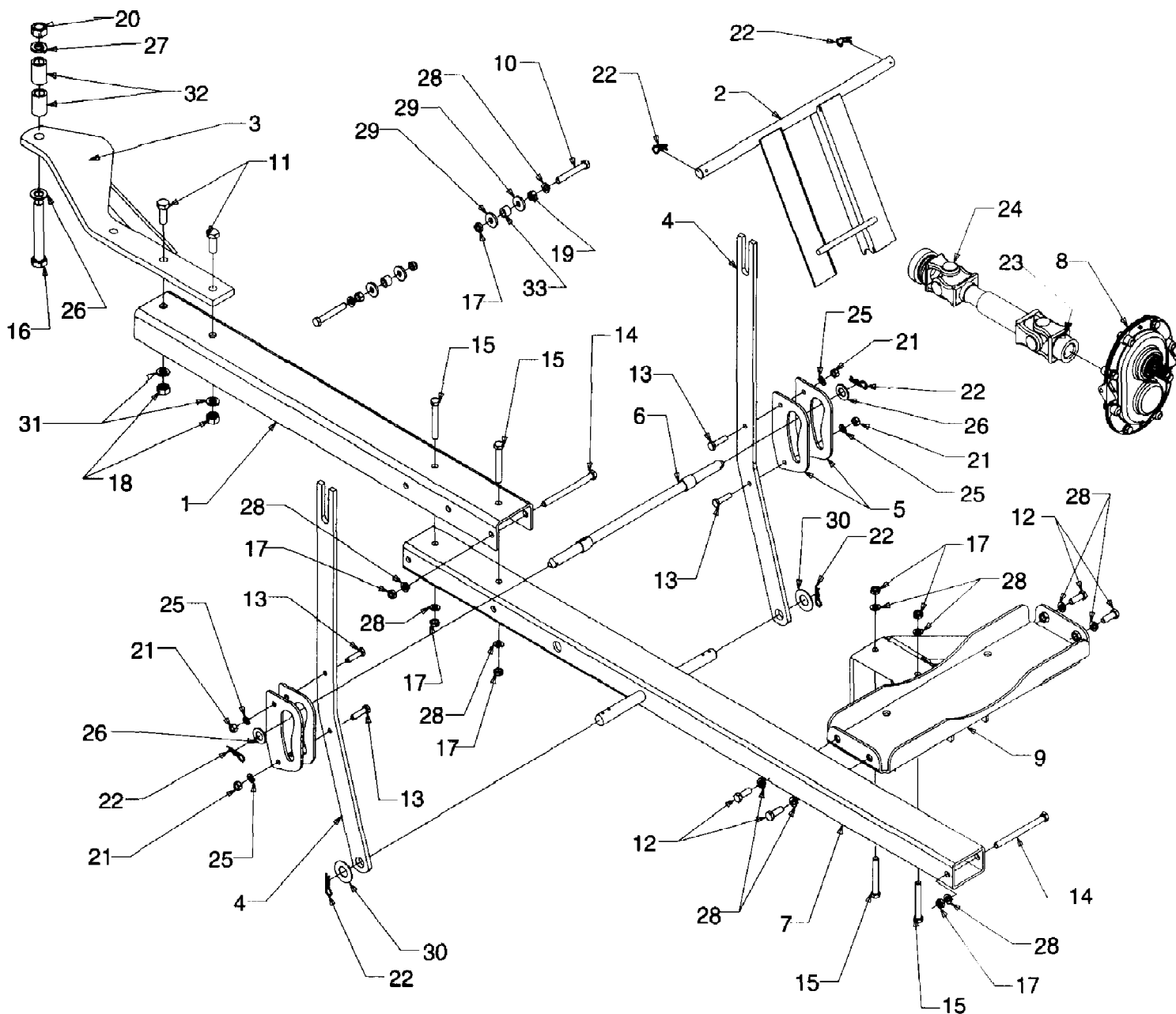
Page 3 of 6



190-623-000 (1998)
Chute

Page 4 of 6

Ref #	Part Number	Qty	S/P/F	Description
1	784-5604	1	S	HNDL:TILT:CHUTE
2	784-5594	1		CABLE BRACKET
3	784-5401	1	S	CHUTE CRANK ASSY 18.0 LG - RH
4	784-5149	1	S	BLOCK ASS:JOINT
5	784-5123	1	S	CHUTE CRANK BRACKET
6	749-3072	1		TUBE:SUPT:CRANK
7	747-0931	1	S	ROD:CRK:CHUT .380 DIA X 28.0 LG
8	747-0481A	1	/P	EYE BOLT 5/16-18 X 3.0 LG
9	746-0903	1	S	CBL:CHUTE:W/CULP, 66 LG
10	746-0902	1	S	CBL:CHUTE 66 LG
11	741-0475	3	S	PLASTIC BUSHING .380 ID
12	736-0242	2	/P	WASH:BELVL:.340 ID X .872 OD
13	736-0231	1	S	WASH:FL:.344 ID:1.125 OD:.12
14	736-0140	1	S	FL-WASH .385 ID X .62 OD X .06
15	731-1319	1	S	SPCR:CHUT:PIVOT
16	731-1318	1	S	CHUT:LWR:EXTENDED 6" DIA
17	731-1313B	2	S	GDE:CBL:CHUTE TILT
18	731-0849	1	S	6" DIA UPPER CHUTE
19	726-0100	1	S	CAP:PUSH X 3/8 ROD
20	720-0232	1	S	KNOB:SHFT:1.60 OD X 1.56
21	720-0201A	1	/P	KNOB:CRK:1.00 DIA X 3.2 CHUTE
22	715-0138	1	S	PIN:ROLL:1/8 OD:.63
23	715-0129	1		SPIROL PIN - 1/8 DIA X .812 LN
24	714-0507	1	S	PIN:COT:3/32 X .750
25	712-0429	1	S	NUT:HX:5/16-18:GRC:LOCK
26	712-0267	2	S	NUT:5/16-18:GRA:HX
27	712-0158	2	S	NUT:LOCK:5/16-18:CEN
28	710-0896	1	/P	SCR:1/4-14:.625:HXINDWSH
29	710-0458	1	/P	CARRIAGE BOLT 5/16-18 X 1.75
30	710-0276	1	/P	SCR:CARR:5/16-18:1.00
31	603-0302	1	S	ASM:CHUTE TILT BRKT



190-623-000 (1998)
Sub Frame

Page 6 of 6

Ref #	Part Number	Qty	S/P/F	Description
1	05611A	1	S	LIFT BRKT
2	05613	1	S	BRKT ASM:GUIDE
3	05646	1	S	HITCH HANGING BAR
4	13780	2		LIFT BAR
5	13781	4		CAM:LIFT
6	13789	1		CROSS SHAFT ASSY FRONT
7	684-0094	1		LIFT ASM:TUBE
8	684-0097	1		BOX ASM:GEAR
9	684-0124	1		BRKT ASM:HSG:MT
10	710-0369	2	/P	HHCS:3/8-24:2.50:GR5:SPEC
11	710-0474	2	/P	HHCS:1/2-13:1.25:GR2:STD
12	710-0514	4	/P	HHCS:3/8-16:1.00:GR5:STD
13	710-0528	4	/P	HHCS:5/16-18:1.25:GR5:STD
14	710-0620	2	/P	HHCS:3/8-24:4.50:GR5:STD
15	710-0629	4		HHCS:3/8-24:2.75:GR5:STD
16	710-0929	1	S	HHCS:5/8-18:4.50:GR5:STD
17	712-0116	8	S	NUT:JAM:3/8-24:INS LOCK
18	712-0206	2	S	NUT:1/2-13:GRA:HX
19	712-0241	2	/P	NUT:3/8-24:GRA:HX
20	712-0337	1		NUT:5/8-18:GRD:HX
21	712-3010	4	S	NUT:5/16-18:GRB:HX
22	714-0147	6		PIN:COT: .125 X 1.75 INTERNAL
23	715-0113	1		PIN:SPIROL:5/16:2.50
24	717-0366	1		SHF:DR:UNIV X 1344 LG
25	736-0119	4	S	WASH:LOCK:5/16:REGULAR DUTY
26	736-0156	3	/P	WASH:FL: .635 X 1.125 X .090
27	736-0158	1	S	WASH:LOCK:5/8:REGULAR DUTY
28	736-0169	12	S	WASH:LOCK:3/8:REGULAR DUTY
29	736-0258	4	/P	WASH:FLAT: .385 X 1.0 X .135
30	736-0316	2	S	WASH:FL: .78ID X 1.590 OD X .06
31	736-0921	2	S	WASH:LOCK:1/2:REGULAR DUTY
32	750-0156	2		HUB .635 ID X 1.00 OD X 1.50
33	750-0497	2		SPCR: .375 IDX .625 OD X .445 LG